



Heimgard

Indoor Siren

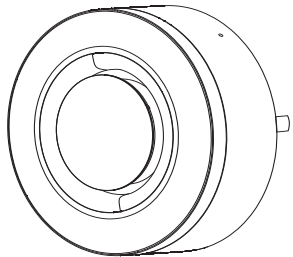
Quick start guide
version 1.0



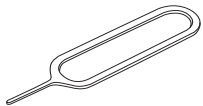
Requires a
heimgard hub

What is in the box

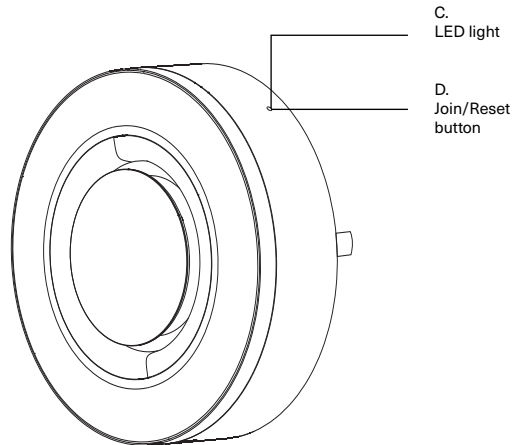
A.
Indoor siren



B.
Metal pin

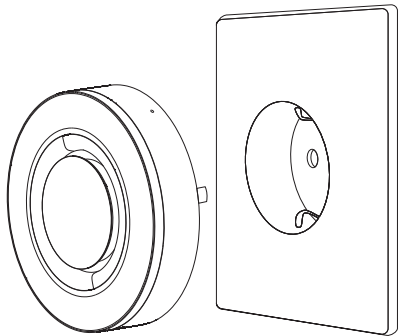


Device overview



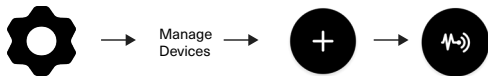
1.

Connect the indoor siren (A) to a wall socket



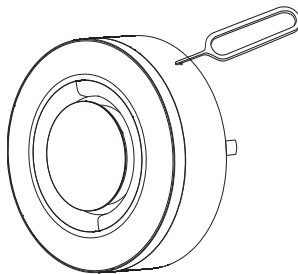
2.

Open the Heimgard app and follow the steps listed here to connect to your device:



3.

Insert the metal pin (B) and press join Button (C) for 3 seconds while your app is scanning for the device



4.

Your device will appear in the Found Devices list. Click configure to add the device to a specific room.

The siren is preconfigured as part of your alarm system and will sound when alarm is triggered.

Mounting

Place out of reach of children.
Avoid placing it in closets or cabinets, it reduces sound blast and signal strength.

Backup battery lasts for 12h fully charged in case of loss of power.

LED Description

Flashes fast: Pairing to network

Flashes 6 times: Disconnecting from network

Troubleshooting

Insert the metal pin (B) and press the **reset button (C)** for 5 seconds to disconnect the device from the network. The LED will flash 6 times to indicate successful disconnect.

Need help?

Website: heimgard.com/support

Email: support@heimgard.com

Facebook: facebook.com/heimgardnorge/

Telephone: +47 649 44 422

Visit heimgard.com for more information and tips on how to use.

Important safety information

1. Read through these instructions and follow accordingly.
2. Clean only with dry soft cloth. Household cleaners and solvents can damage the finish on your device.
3. Do not install near any heat sources such as radiators, heat registers, stoves or other device that produce heat.
4. Do not use this device near water.
5. Warning: To reduce the risk of fire or electric shock, do not expose this device to rain or moisture.
6. Do not expose device to dripping or splashing.
7. Protect the attached cables from being walked on or pinched, particularly at plugs, convenience receptacles, and the point the exit the apparatus.
8. Only use attachments/accessories specified by the manufacturer.
9. Unplug this device during lightning storms or when unused for long periods of time.
10. All servicing should be performed by qualified service personnel. Servicing is required when the device has been damaged in any way.
11. Operating temperature: -10°C to +50°C
12. Operating relative humidity: < 95% RH (no condensation)



Dispose the product properly at the end of life. This is electronic waste which should be recycled accordingly.



Heimgard

➔ heimgard.com