

# Jensen®

OF SCANDINAVIA

## Instruction manual



# Contents

## Safety information

General safety information	4
Power source	4
Positioning the Stereo DAB/FM Radio	5
Moisture and water	5
Ventilation	5
Heat sources and flames	5

## Getting to know your stereo DAB/FM Radio

Connection	8
Inserting batteries (optional)	8
Initial set-up	8
Adjusting the volume	9
Time and date	9
Change the mode	10

## Using your stereo DAB/FM Radio

Telescopic aerial	11
DAB Radio mode	11
Changing DAB stations	11
Scanning for DAB stations	11
Prune DAB stations	12
Storing a DAB station preset	12
Tune to a DAB preset station	13
DAB display information	13
Dynamic range control (DRC)	14

# Contents

FM Radio mode	15
Telescopic aerial	15
Tuning to an FM station	15
Changing the Scan setting	15
Audio mode	16
Storing an FM station preset	16
Tune to an FM preset station	17
FM display information	17
Setting the alarm	18
Stop the Alarm	19
Snooze	19
Turn off the Alarm	19
Sleep timer	19
Cancel the Sleep timer	20
Display backlight timeout	20
Display language	20

## Other information

Software version	21
Factory reset	21
Technical specification	22

## Product support

Troubleshooting	23
Disposal	24
Guarantee	25

# Safety information

## General safety information

Keep the product and all its parts out of reach of small children.

This product is not intended for use by persons (including children) with reduced physical, sensory or mental capabilities, or lack of experience and knowledge, unless they have been given supervision or instruction concerning the use of the appliance by a person responsible for their safety.

- **Do not** attempt to open the product. This product does not contain any user serviceable parts. Unauthorised handling of the device may damage it and will void your warranty.
- **Do not** use your Radio near emergency/intensive care medical equipment; if you have a pacemaker fitted or during an electrical storm.



To avoid possible hearing damage, do not listen to this radio at high volume levels for long periods of time. Always keep the volume within reasonable limits.

## Power source

- Only use the power supply that came with the product. Using an unauthorised power supply will invalidate your guarantee and may irrecoverably damage the product.
- Disconnect your Radio from the mains power supply during thunderstorms.
- Always check that you have completely switched off your Radio, before you change or disconnect the power supply.
- Where the mains power plug or an appliance coupler is used as the disconnect device, the disconnect device shall remain readily operable.
- If the Radio will not be used for a long period of time, make sure that all of the batteries are removed from the battery compartment and the mains power is unplugged.
- Only use recommended batteries or those of the same or equivalent type.
- Do not mix old and new batteries or batteries of different types.
- Batteries are to be inserted with the correct polarity.
- The supply terminals are not to be short-circuited.
- Remove the batteries from the Radio if they will not be used for an extended period of time.

## Safety information

- Never throw batteries in a fire or attempt to open the outer casing.
- Batteries are harmful if swallowed, so keep away from young children.
- CAUTION: Danger of explosion if batteries are incorrectly replaced. Replace only with the same or equivalent type.

### Positioning the Stereo DAB/FM Radio

It is important that you consider carefully in advance where your Radio will be situated and make sure that it is:

- on a flat and stable surface
- within 1.4 metres of a power socket. Please ensure that the mains power lead is not a trip hazard.
- at least 1 metre away from other electrical appliances to avoid interference
- where you can fully extend the telescopic aerial
- Never place your Radio directly onto antique or polished surfaces.

### Moisture and water

- Keep it dry. Avoid exposure to precipitation, humidity and liquids which could all affect the product circuitry.
- **Do not** leave it in low temperatures as moisture can form inside the product, which may damage the circuit board.

### Ventilation

- **Do not** block or cover slots, holes or openings on the product by placing on soft furnishings such as carpets, rugs or beds as these are provided for functionality and/or ventilation to ensure safe operation of the product.

### Heat sources and flames

- **Do not** leave it in high temperatures as electronic devices and plastic parts may warp in heat.
- Keep it away from bright sunlight or heat sources, such as a radiator.

# Getting to know your stereo DAB/FM Radio

Fig 1.

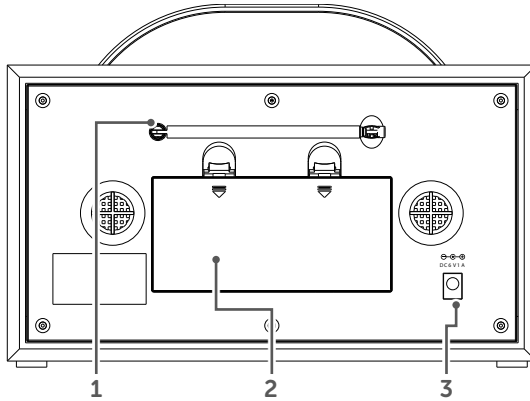
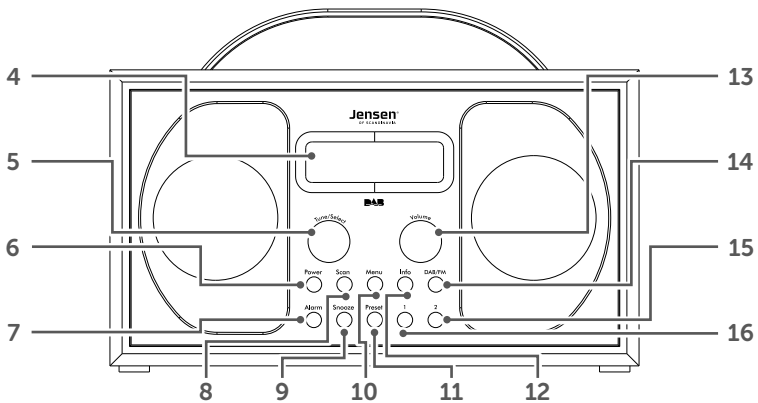


Fig 2.



# Getting to know your stereo DAB/FM Radio

1. Telescopic aerial
2. Battery compartment
3. Power socket
4. Backlit display
5. Rotary Tune/Select control:
  - Rotate: Scroll through the available stations/frequencies or menu options
  - Short press: Select a displayed radio station/frequency or menu option
  - Power
  - Short press: Power on
  - Short press: Standby (Mains power)
  - Short press: Power off (Battery)
6. Alarm
  - Short press: Alarm settings
7. Scan
  - » In DAB mode:
    - Short press: Scans for radio stations
  - » In FM mode:
    - Short press: Scans up the frequency band
    - Long press: Scans down the frequency band
8. Snooze
  - Press to Snooze when the alarm sounds
9. Menu
  - Short press: Enter/Exit the Menu
10. Preset
  - Short press: Preset recall
  - Long press: Preset store
11. Info
  - Short press: Station information
12. Rotary Volume control
13. DAB/FM
  - Short press: changes the mode
14. Memory preset 2
  - Short press: Preset memory location 2 recall
  - Long press: Preset memory location 2 store
15. Memory preset 1
  - Short press: Preset memory location 1 recall
  - Long press: Preset memory location 1 store

# Getting to know your stereo DAB/FM Radio

## Connection

1. Connect the mains power lead into the socket on the back of the Radio.
2. Plug the power adaptor into the mains power wall socket and switch on. The Radio will switch on, Welcome to Digital Radio will be displayed and then your Radio will go to Standby mode.

## Inserting batteries (optional)

1. Before installing the batteries (not included) please ensure that the Radio is switched off using the Power switch and has been unplugged from the mains power supply.
2. On the back of the Radio, press down the two tabs on the battery compartment cover to remove it.
3. Insert 4 x 1.5V C-size (also known as LR-14) batteries, making sure to note the '+' and '-' markings and position the batteries the correct way around.
4. Replace the battery cover, making sure that it 'clicks' shut.

---

**Note:** For battery operation please ensure that the mains power is switched off and remove the mains power plug from the socket on the back of the Radio.

---

## Initial set-up

1. Extend the telescopic aerial to ensure the maximum signal strength when you scan for radio stations.
2. Press and release the Power button on the front of your radio. Your radio will switch on and begin an automatic scan for DAB stations. A progress bar will show the progress of the scan and the number of stations found during the scan will also be displayed.
3. When the scan is complete your radio will select the first available station and begin to play. Stations are listed in numerical and then alphabetical order by default.

---

**Note:** The DAB radio station list is stored in the memory and so the next time you switch your radio on, the station search does not take place. It is possible to scan manually for stations by pressing and releasing the Scan button.

---



# Getting to know your stereo DAB/FM Radio

4. Turn the rotary 'Tune/Select' control to scroll through the available stations. When the station that you would like to listen to is displayed press to 'Select'. There will be a short delay whilst your DAB radio tunes to your selected station.

## Adjusting the volume

- Turn clockwise to increase the volume.
- Turn anti-clockwise to decrease the volume.

## Time and date

The first time you listen to DAB radio, the time and date of your product will be synchronised automatically to that broadcast by the DAB service in 24 hour mode; which is in line with daylight saving, so there is no need to set the time and date manually.

If you do wish to set the time and date manually, turn on the radio and follow the steps below:

1. Press and release the Menu button to enter the menu options.
2. Use the Tune/Select control to scroll to <System>. Press to Select.
3. Use the Tune/Select control to scroll to <Time>. Press to Select. <Set Time/Date> is displayed. Press to Select.
4. Set time is displayed and the hour digits will flash. Use the Tune/Select control to scroll to the correct hour. Press to Select.
5. The minutes will now flash. Use the Tune/Select control to scroll to the correct minutes. Press to Select.
6. Set date is displayed and the day will flash. Use the Tune/Select control, to scroll and select to confirm the day, month and year, using the same method as you used to set the time.

When you confirm the correct date. 'Time Saved' is displayed and the display returns to <Set Time/Date>.

# Getting to know your stereo DAB/FM Radio

You can now use the Tune/Select control to scroll and select, as you did to set the time and date to change the settings for:

12/24 hour clock display, the date format, DD-MM-YYYY or MM-DD-YYYY and to auto update the time from the DAB signal, FM signal, DAB or FM signal or no update.

7. Press and release the Menu button to exit the Menu options.

## Change the mode

Press and release the DAB/FM button to change between DAB and FM modes. Please check the display, which will confirm the mode.

# Using your stereo DAB/FM Radio

## Telescopic aerial

Please make sure that the aerial is fully extended before you attempt to tune to a DAB station (a vertical position is recommended). This will ensure that the maximum signal strength is available when the radio begins to scan. Extending the aerial also ensures the best possible sound quality.

## DAB Radio mode

- Check that your Radio is in DAB mode. If you are not already in DAB mode, press and release the DAB/FM button until you are in DAB mode (check the display).
- The first time you use the Radio or if the station list is empty, your radio will automatically begin to scan for DAB radio stations. A progress bar will show the progress of the scan and the number of stations found during the scan will also be displayed.
- If you were listening to a DAB station when you switched the radio off, then this station will automatically be selected when you switch the radio back on.

## Changing DAB stations

1. Turn the Tune/Select control to scroll through the available stations.
2. When the station that you would like to listen to is displayed, press the Tune/Select control to select it. There will be a short delay whilst your radio tunes to your selected station.

## Scanning for DAB stations

With DAB radio additional stations and services regularly become available, so it's a good idea to carry out a manual scan every now and then to make sure that you have the most up to date station listing stored within the memory of your Radio. If you have moved your Radio to another location, e.g.: if you go on holiday, then it's also a good idea to carry out a manual scan.

In DAB mode:

1. Press and release the Scan button to begin a search for stations. The display will change to 'Scanning...'. A progress bar will show the progress of the scan and the number of stations found during the scan will also be displayed.

# Using your stereo DAB/FM Radio

## Prune DAB stations

You can remove the DAB stations in the station list that cannot be received in your area. These are listed with a '?' prefix.

In DAB mode:

1. Press and release the Menu button to enter the menu options.
2. Use the Tune/Select control to scroll to <Prune>. Press to Select.
3. Prune? <No> Yes is displayed. Use the Tune/Select control to scroll to Yes. Press to Select and prune the station list. Stations with a '?' prefix will now no longer be displayed.

## Storing a DAB station preset

Your Radio can store up to 10 DAB radio stations in its preset memories for instant access to your favourite stations.

---

**Note:** When you store DAB radio station presets, these do not overwrite your FM station presets.

---

1. Tune the Radio to the DAB radio station that you wish to preset.
2. Press and hold the Preset button for approximately 2 seconds until Preset Store <1:(Empty)> is displayed.
3. Use the Tune/Select control to move to the preset location that you would like to store the radio station to (1-10).

---

**Note:** When you store a radio station to Preset location 1 or 2, this will also be saved under the number '1' and '2' buttons on the front of your radio.

---

4. Press the Tune/Select control to Select. The display will confirm Preset X stored, where 'X' is the number of the preset (1-10).

---

**Note:** If there is already an existing DAB station stored under a preset, it will be overwritten when you store the new station.

---

# Using your stereo DAB/FM Radio

## Tune to a DAB preset station

In DAB mode:

---

**Note:** To quickly access the radio stations stored under Preset locations 1 or 2, you can just press and release the '1' or '2' button, as appropriate, on the front of your radio.

---

1. Press and release the Preset button. Preset Recall <1:> is displayed together with the name or frequency of the station stored there, or (Empty) if no previous station has been stored.
2. Use the Tune/Select control to move to the Preset location and station that you would like to listen to (1-10).
3. Press the Tune/Select control to Select. The radio will instantly tune to that station and begin to play.

---

**Note:** If no DAB station has been stored under the preset button, 'Preset Empty' will be displayed, then the radio will revert to the previously selected radio station.

---

## DAB display information

When listening to a DAB station you can change the information that will appear on the display. There are several different types of information that are sent by the broadcaster.

- **Dynamic Label Segment (DLS)** - this is scrolling text information supplied by the broadcaster. Information could be the name of an artist or music title, DJ's name, contact details for the radio station etc.
- **Signal Strength** - An empty  will appear on the display to indicate the minimum signal strength for acceptable listening. The row of solid rectangles indicates the actual signal strength that you are receiving. The stronger the signal, the further to the right the row of solid rectangles will be.
- **Program Type (PTY)** - such as 'Rock', 'Pop', 'Talk' or 'News'
- **Multiplex Name** - displays the broadcasting area and collection of radio stations on this frequency e.g.: BBC National DAB, Digital 1 Network.
- **Channel and Frequency** - e.g.: 12B 225.648 MHz

# Using your stereo DAB/FM Radio

- **Signal error** - This is displayed as a number between 0-99. It would not be possible to satisfactorily listen to a radio station with a signal error rate of 30 or above. Try adjusting the aerial or relocating your radio to improve reception.
  - **Signal information** - The data rate at which the signal is being transmitted.
  - **Time and date** - supplied by the broadcaster.
1. Repeatedly press and release the Info button to cycle through the different information options.

## Dynamic range control (DRC)

In DAB mode:

The dynamic range for each radio programme is set by the broadcaster for each radio station and may be different for the types of programme broadcast, such as pop or classical music or a chat show. The dynamic range control signal is transmitted in parallel with the audio signal for each programme and with your radio you can use this control signal to expand or compress the dynamic range (the difference between the loudest and quietest sounds) of the reproduced audio signal. Changing the dynamic range can affect the 'loudness' and/or 'quality of sound' of the programme that you hear so that it will be more suited to your listening conditions and your own personal listening requirements. e.g. in a noisy environment, where quiet sounds might be swamped, setting the compression to maximum will 'boost' the quiet sounds, whilst keeping the loudest sounds at their original level.

There are 3 levels of compression:

- **DRC off** - no compression. This is the default setting.
  - **DRC low** - medium compression.
  - **DRC high** - maximum compression.
1. Press and release the Menu button to enter the menu options.
  2. Use the Tune/Select control to scroll to <DRC>. Press to Select.

---

**Note:** The current DRC setting will have an '\*' in the display.

---

3. Use the Tune/Select control to scroll through the options and press to Select.

# Using your stereo DAB/FM Radio

## FM Radio mode

- If you are not already in FM mode, press and release the DAB/FM button to go to FM mode (check the display).
- If you were listening to an FM station when you switched the Radio off then this station will be automatically selected when you switch the Radio back on.

## Telescopic aerial

Please make sure that the aerial is fully extended before you attempt to tune to a FM station (a vertical position is recommended). This will ensure that the maximum signal strength is available when the radio begins to scan. Extending the aerial also ensures the best possible sound quality.

## Tuning to an FM station

Turn the Tune/Select control to scroll through the FM frequency band. Alternatively, you can:

- Press and release the Scan button to scan up the frequency band.
- Press and hold the Scan button to scan down the frequency band.

---

Note: If reception is still poor try adjusting the aerial or moving the radio to another location.

---

## Changing the Scan setting

In FM mode:

1. Press and release the Menu button, <Scan setting> will be displayed. Press and release the Tune/Select control. The current Scan setting will have an '\*' in the display.

There are two different options to choose from:

**Strong stations:** The scan will only stop when a strong signal strength is received which should also result in a better audio quality. It is possible that the station you are scanning for may be missed using this option.

**All stations:** The scan will stop for every station it receives, even if the signal strength is poor.

# Using your stereo DAB/FM Radio

2. Use the Tune/Select control to choose from the two options available and press to Select.

## Audio mode

The radio will automatically switch between Stereo and Mono, depending on the quality of the signal being received but you can override this function and manually switch between Stereo and Mono.

1. Press and release the Menu button to enter the menu options.
2. Use the Tune/Select control to scroll to <Audio setting>. Press to Select.  
There are now two different options of <Forced mono> and <Stereo allowed> and the current setting will have an ‘\*’ in the display.
3. Use the Tune/Select control to choose from the two options available and press to Select.

## Storing an FM station preset

Your radio can store up to 10 FM stations in its preset memories for instant access to your favourite stations.

---

**Note:** When you store FM radio station presets, these do not overwrite your DAB station presets.

---

1. Tune the Radio to the FM radio station that you wish to preset.
2. Press and hold the Preset button for approximately 2 seconds until Preset Store <1:(Empty)> is displayed.
3. Use the Tune/Select control to move to the preset location that you would like to store the radio station to (1-10).

---

**Note:** When you store a radio station to Preset location 1 or 2, this will also be saved under the number ‘1’ and ‘2’ buttons on the front of your radio.

---

4. Press the Tune/Select control to Select, the display will confirm Preset X stored, where ‘X’ is the number of the preset (1-10).



# Using your stereo DAB/FM Radio

---

**Note:** If there is already an existing FM station stored under a preset, it will be overwritten when you store the new station.

---

## Tune to an FM preset station

In FM mode:

---

**Note:** To quickly access the radio stations stored under Preset locations 1 or 2, you can just press and release the '1' or '2' button, as appropriate, on the front of your radio.

---

1. Press and release the Preset button. Preset Recall <1:> is displayed together with the name or frequency of the station stored there, or (Empty) if no previous station has been stored.
2. Use the Tune/Select control to move to the Preset location and station that you would like to listen to (1-10).
3. Press the Tune/Select control to Select. The radio will instantly tune to that station and begin to play.

---

**Note:** If no FM station has been stored under the preset button, 'Preset Empty' will be displayed, then the radio will revert to the previously selected radio station.

---

## FM display information

When listening to an FM station you can change the information that will appear on the second line of the display.

- **Radiotext (RT)** - This is scrolling text information supplied by the broadcaster. Information could be the name of an artist or music title, DJ's name, contact details for the radio station etc.
  - **Program Type (PTY)** - Such as 'Rock', 'Pop', 'Talk' or 'News'
  - **Station name or frequency** - Such as BBC R4 or 93.30MHz
  - **Audio mode** - Stereo or Mono
  - **Time and date** - Supplied by the broadcaster.
1. Repeatedly press and release the Info button to cycle through the different information options.

# Using your stereo DAB/FM Radio

## Setting the alarm

---

**Note:** Check that the radio has the correct time and date before you set an alarm.

---

1. Press and release the Alarm button.
  2. Alarm 1 Setup is displayed (Press and release the Alarm button again to set Alarm 2). Press and release the Tune/Select control.
  3. Alarm 1 Wizard On time is displayed and the hour digits for the alarm will flash.
  4. Use the Tune/Select control to scroll to the hour for the alarm and press to Select.
  5. The minutes will now flash. Use the Tune/Select control to scroll to the minutes for the alarm and press to Select. The duration time will now flash.
  6. Use the Tune/Select control to scroll to the duration for the alarm and press to Select. You can choose from 15, 30, 45, 60, 90 and 120 minutes. Press the Tune/Select control to Select. The source for the alarm will now flash.
  7. Use the Tune/Select control to scroll to the sound source for the alarm. You can choose from Buzzer, DAB or FM. Press to Select.
- 

**Note:** If you select DAB or FM radio for the alarm source, 'Last listened' will flash in the display. Press and release the Tune/Select control and the last listened to radio station in DAB or FM, as appropriate, will be used for your alarm.

---

8. Use the Tune/Select control to scroll to the frequency for the alarm. You can choose from Daily, Once, Weekends or Weekdays. Press to Select.
- 

**Note:** If you select 'Once', you will then be prompted to set the date for your alarm.

---

9. Use the Tune/Select control to choose Alarm On or Off and press to Select. Alarm Saved is displayed.
  10. A bell icon will appear in the standby radio display, together with a '1' or '2' as appropriate, to confirm that an alarm has been set.
- 

**Note:** If the time is not set or has failed to update from the radio signal, Time is not set will be displayed when you try to set the alarm. The radio will then prompt you to set the time. An alarm can only be set after the time has been set.

---

# Using your stereo DAB/FM Radio

## Stop the Alarm

When the alarm sounds, press and release the Power button, Alarm off will be displayed. Alternatively, you can press and release the Snooze button (see Snooze function below).

---

**Note:** When you press a button to stop the alarm, the alarm symbol will remain in the display and the alarm will sound again at the same time the next day, unless it was set for 'Once' only.

---

## Snooze

When the alarm sounds you can press and release the Snooze button. Snooze will be displayed, followed by the snooze time countdown from 9 minutes, until the alarm sounds again.

## Turn off the Alarm

Follow the steps for 'Setting an Alarm' and select 'Off' in step 9.

## Sleep timer

You can set your radio to switch to Standby mode automatically using the sleep timer. You can choose from Sleep off, 15, 30, 45, 60 and 90 minutes.

With your radio switched on (not in Standby mode):

1. Press and release the Menu button to enter the menu options.
2. Use the Tune/Select control to scroll to <System>. Press to Select.
3. Use the Tune/Select control to scroll to <Sleep>. Press to Select.
4. Use the Tune/Select control to scroll through the available options. Stop when the sleep time you would like is displayed and press to Select. <Sleep> will be displayed.
5. In the top right of the radio display the number of minutes until your radio will switch to Standby mode automatically will be displayed e.g. S90.

# Using your stereo DAB/FM Radio

## Cancel the Sleep timer

With your radio switched on (not in Standby mode):

Follow the steps for 'Sleep timer' and select 'Off' in step 4.

## Display backlight timeout

You can adjust the display backlight timeout. Options of permanently On, 10, 20, 30, 45, 60, 90, 120, and 180 seconds are available. The current setting will have an '\*' in the display.

With your radio switched on (not in Standby mode):

1. Press and release the Menu button to enter the menu options.
2. Use the Tune/Select control to scroll to <System>. Press to Select.
3. Use the Tune/Select control to scroll to <Backlight>. Press to Select.
4. <Timeout> is displayed. Press the Tune/Select control. Use the Tune/Select control to scroll through the available backlight timeout options of On, 10, 20, 30, 45, 60, 90, 120 or 180 seconds. Stop when the backlight timeout you would like is displayed and press to Select. <Timeout> will be displayed.

You can now use the Tune/Select control to scroll and Select, as you did to set the Backlight timeout, to change the settings for the backlight brightness for the <Dim level> and <On level>. There are 3 options available, High, Medium and Low.

## Display language

You can change the display language of your radio, there are 5 options available; Norwegian, English, French, German and Italian. An '\*' will be displayed next to the current setting.

With your radio switched on (not in Standby mode):

1. Press and release the Menu button to enter the menu options
2. Use the Tune/Select control to scroll to <System>. Press to Select.
3. Use the Tune/Select control to scroll to <Language>. Press to Select.
4. Use the Tune/Select control to scroll to the language you would like. Press to Select.

# Other information

## Software version

You can check the software version of your radio.

With your radio switched on (not in Standby mode):

1. Press and release the Menu button to enter the menu options
2. Use the Tune/Select control to scroll to <System>. Press to Select.
3. Use the Tune/Select control to scroll to <SW Version>. Press to Select.

The software version will be displayed and you may wish to make a note of it here:

.....

## Factory reset

You can reset your radio and restore all of the original factory settings.

---

**Note:** If you reset your radio all of your stored station presets will be deleted.

---

With your radio switched on (not in Standby mode):

1. Press and release the Menu button to enter the menu options
2. Use the Tune/Select control to scroll to <System>. Press to Select.
3. Use the Tune/Select control to scroll to <Factory reset>. Press to Select. Factory Reset? <No> Yes will be displayed.
4. Use the Tune/Select control to scroll to <Yes>. Press to Select.
5. Restarting... will be displayed. After a few seconds the display will change to Welcome to Digital Radio and will then go to Standby mode. When you next power on your radio from Standby mode, it will begin an automatic scan for DAB stations. A progress bar will show the progress of the scan and the number of stations found during the scan will also be displayed. When the scan is complete your radio will select the first available station and begin to play. Stations are listed in numerical and then alphabetical order by default.

# Other information

## Technical specification

Power adaptor:	Output DC 6V 1.5A Input AC 100-240V, 50/60Hz
Audio output:	2 x 1.5W RMS
Frequency range:	
DAB:	Band III, 174 MHz to 240 MHz
FM:	87.5 MHz to 108 MHz

# Product support

## Troubleshooting

### No sound / power:

- Adjust the volume.
- Check that the mains power wall socket is switched on and that your radio is not in Standby mode.
- If you have batteries fitted, they may be exhausted and need to be replaced. Please use only good quality C size batteries.

### Radio reception is poor:

- Make sure that you have fully extended the telescopic aerial.
- Rescan for radio stations, see pages 11 and 15.
- Try moving your radio to another location to see if reception improves.
- Check that you do not have other electrical equipment too close to your Radio, causing interference.
- Visit <https://radio.no> for information about DAB reception in your area.

### The function buttons do not respond:

- Check that the mains power lead is connected at the back of your radio and the mains power wall socket is switched on. Press and release the Power button.
- If you are using batteries, they may be exhausted and need to be replaced.
- Unplug the mains power. Leave the radio for 3 minutes and then reconnect the power.
- Try a reset to factory defaults. See page 21.

---


**Note:** All of your settings, including the radio station list and any presets will be deleted when you reset the Radio.

---

# Product support

## Disposal



- This product should not be treated as normal household waste and it should be recycled. Please take it to your nearest collection facility or for further details contact your local council or visit <http://renas.no/elektrisk-avfall/>
-  Batteries contain substances that may be harmful to the environment and human health. Keep out of the reach of children and seek immediate medical help if swallowed.
- Batteries should not be disposed of in the normal household waste but taken to appropriate local recycling facilities, where and when these are available.
- Never throw batteries in a fire or attempt to open the outer casing.



# Product support

## Guarantee

This product is guaranteed for twelve months from the date of original purchase.

Any defect that arises due to faulty materials or workmanship will either be replaced, refunded or repaired free of charge where possible during this period by the retailer from whom you purchased the product.

The guarantee is subject to the following provisions:

- The guarantee does not cover accidental damage, misuse, cabinet parts, knobs or consumable items.
- The product must be correctly installed and operated in accordance with the instructions contained in this manual.
- It must be solely for domestic purpose.
- The guarantee will be rendered invalid if the product is re-sold or has been damaged by inexpert repair.
- Specifications are subject to change without notice.

The manufacturer disclaims any liability for the incidental or consequential damages. The guarantee is in addition to and does not diminish your statutory or legal rights.

Homepage: [www.jensenscandinavia.com](http://www.jensenscandinavia.com)

e-mail support: [support@jensenscandinavia.com](mailto:support@jensenscandinavia.com)

This page is intentionally blank

This page is intentionally blank

