



Heimgard

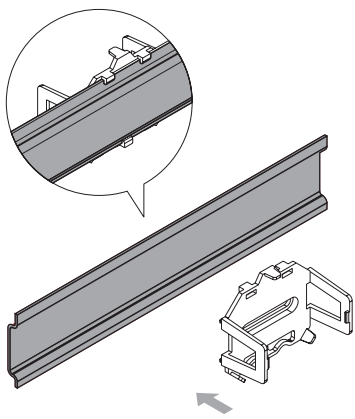
Din rail bracket



Installation

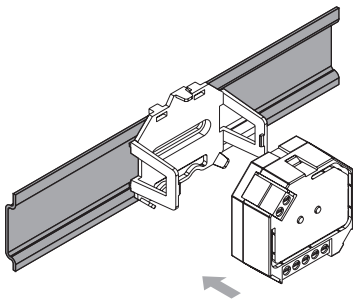
Read all instructions prior to installation.

1. Clip the mounting clip onto DIN rail.



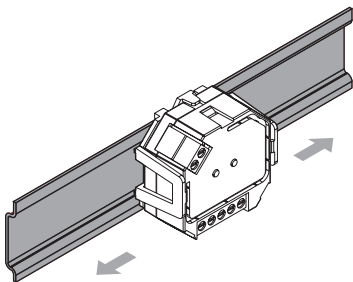
2.

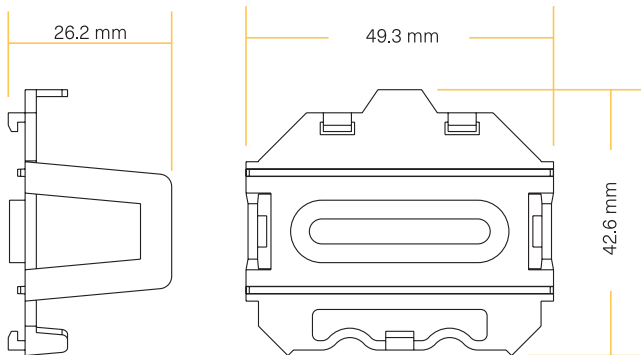
Install the device onto the mounting clip in the correct direction.



3.

The device can slide freely on the DIN rail.





This DIN rail mounting clip is developed to mount in-wall module on a 35mm DIN rail. It is applicable to all devices with the casing design as follows:

